



OU Device 10W in 150W up to 1KW Out - English (Kapanandze)

- [Princip rada](#)
- [Shema](#)

Više o tome:

Kapanadze Free Energy Generator

A Georgia Republic inventor, Tariel Kapanadze, claims to have invented a 5 kilowatt free energy generator. In a demonstration video, the device appears to produce copious amounts of energy from no visible source.

The components apparently include a radiator buried in the ground, a wire to a water pipe, a Tesla coil/joule thief, a spark gap, transformer, capacitors, 5 ferrite cores from old TV HV transformers, and some other unidentified components.

In the videos below under the keyword "Kapanadze", several different iterations or varieties are shown. Two appear to be solid state of different sizes, one in a black box. Another is a rotating system.

On July 22, 2009, a video was posted showing a 100 kW unit being third party tested.

Kapanadze on German TV channel MDR:

[gErefbcTz-U{/youtube}](#)

FREE ENERGY GENERATOR BY KAPANADZE 100 KW - PART -1

[wV560xfYSJ0{/youtube}](#)

5KW free energy бестопливный генератор

[uxQ99R4gOWY{/youtube}](#)

Free Energy Kapanadze generator (Possible Circuit)

[YxFgAfSXNt8{/youtube}](#)

[8xnrq62SSg84{/youtube}](#)

Jednu od mogućih shema možete [vidjeti ovdje](#) .

Više na: [http://peswiki.com/index.php/Directory:Kapanadze Free Energy Generator](http://peswiki.com/index.php/Directory:Kapanadze_Free_Energy_Generator)

i ovdje: <http://jnaudin.free.fr/kapagen/index.htm>

Nadopuna (04.12.2011.):

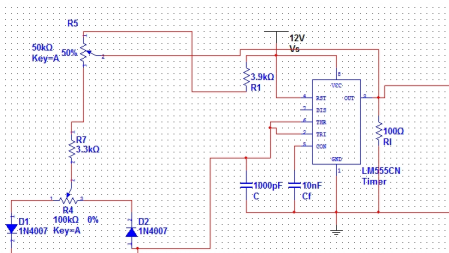
S jednog foruma:

I would just like to add that there are three device classifications:

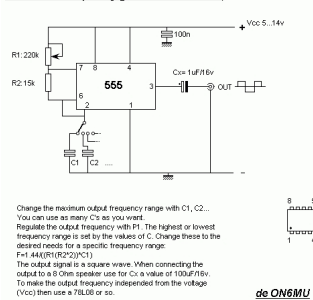
- I. Kapanadze
- II. SR193
- III. Kapagen

Each are different, and it is easy to confuse one with another.

Evo i slike koja nedostaje u shemi oscilatora sa 555 čipom:



AF variable frequency generator with a 555



100 kw de energia gratis - video

{youtube}5GBpIAvaMq4{/youtube}



Ovdje može biti Vaša reklama